

ON/OFF valves
Series VPFA/3
General service valve 3 way diverting

Technical data

| | |
|-----------------|--|
| Size (DN) | DN 15 — 65 |
| Pressure rating | PN16 |
| Connections | Flanges UNI/DIN PN16 |
| Type sealing | Soft (Class VI) |
| Characteristic | On/off |
| Action | Pneumatic with piston (supply max 8 bar) |
| Temperature | -5 to +180°C |

Description

The Series VPFA/3 have three way globe body with screwed seats and function DIVERTING, is a general service valve with a body made from nodular cast iron.

The Series VPFA/3 on/off valve is the best choice for a simple and reliable globe valve. Series VPFA/3 valves can be used for liquid and gasses up to 16 bar and steam up to max 8 bar.

Options

- ⇒ Plug sealing HPP PEEK
- ⇒ Handwheel for emergency operation
- ⇒ Airset



Flow rate coefficient (CV)

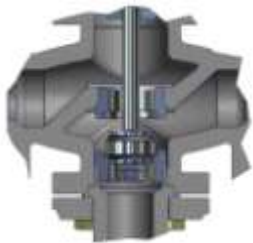
| DN | CV | KVs |
|----|----|------|
| 15 | 4 | 3,5 |
| 20 | 7 | 6 |
| 25 | 12 | 10 |
| 32 | 18 | 15,5 |
| 40 | 28 | 24 |
| 50 | 48 | 41 |
| 65 | 72 | 61,5 |

ON/OFF valves
 Series VPFA/3
 General service valve 3 way diverting

| Materials | |
|--------------------|------------------------------------|
| Valve body | Nodular cast iron GGG 40 (PN16) |
| Trim (plug - seat) | 316L + PTFE-CG or PEEK plug insert |
| Stem | 316L |
| Packing | PTFE + graphite |
| Body gasket | FASIT 400 |
| Acuator | Stainless steel |

Function overview

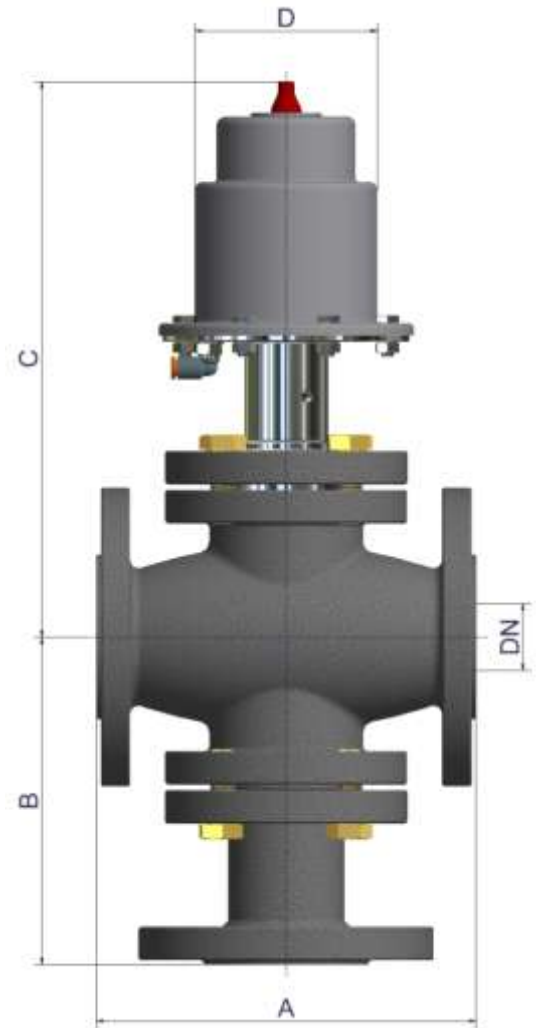
Diverting



Normally open straight way



Normally open square way



| Standard dimensions (mm) | | | | | |
|--------------------------|-----|-----|-----|-----|-------|
| DN | A | B | C | Ø D | Serv. |
| 15 | 130 | 156 | 250 | 66 | S63/R |
| 20 | 150 | 156 | 250 | 66 | S63/R |
| 25 | 160 | 156 | 250 | 66 | S63/R |
| 32 | 180 | 156 | 265 | 88 | S82/R |
| 40 | 200 | 156 | 265 | 88 | S82/R |
| 50 | 230 | 166 | 315 | 88 | S82 |
| 65 | 290 | 220 | 360 | 122 | S118 |

| Standard weight* | | | | | | | |
|------------------|-----|------|------|------|----|------------|------------|
| DN | 15 | 20 | 25 | 32 | 40 | 50 | 65 |
| kg | 9,5 | 11,5 | 12,5 | 16,5 | 17 | On request | On request |

* without airset or other accessories