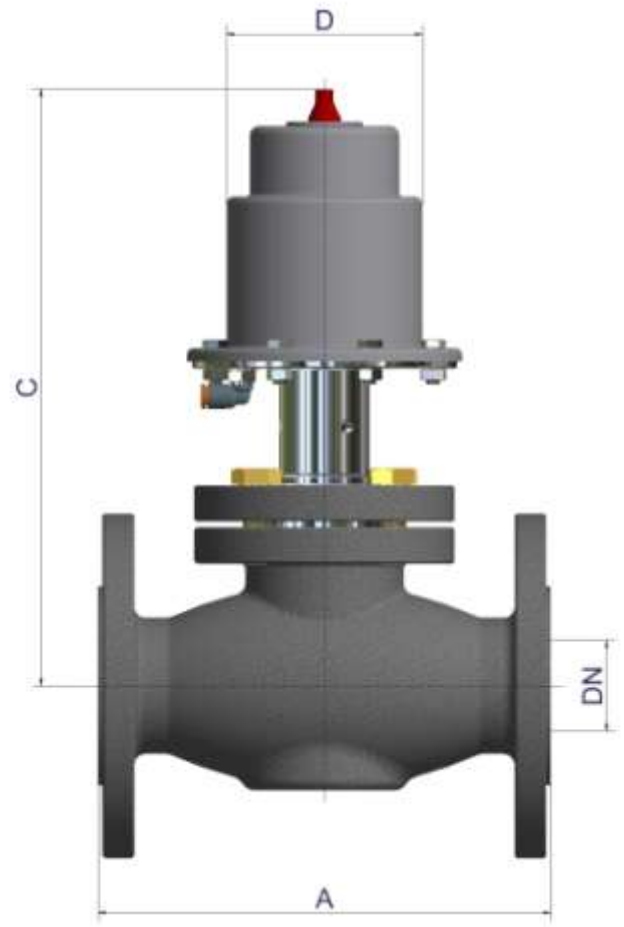


ON/OFF valves  
 Series VPFA  
 General service valve 2 way

Materials	
Valve body	Nodular cast iron GGG 40 (PN16)
Trim (plug - seat)	316L + PTFE-CG or PEEK plug insert
Stem	316L
Packing	PTFE + graphite
Body gasket	FASIT 400
Acuator	Stainless steel



Standard dimensions (mm)				
DN	A	C	Ø D	Serv.
15	130	250	66	S63/R
20	150	250 - 280	66	S63/R - S63
25	160	250 - 280	66	S63/R - S63
32	180	265 - 315	88	S82/R - S82
40	200	265 - 315	88	S82/R - S82
50	230	315 - 330	88 - 122	S82 - S118
65	290	360	122	S118

Standard weight*							
DN	15	20	25	32	40	50	65
kg	6,5	7,6 / 7,8	8,6 / 8,8	11 / 11,5	11,5 / 12	19 / 21,5	29

\* without airset or other accessories