

# Pneumatic ball valves ON-OFF

## Series VSP/3V - CS+FF

### MANIFOLD

#### Technical data

Size (DN)	DN 25
Rating	PN 40
Connections	Clamp for manifold + 3° way female threaded <b>1" GAS</b> - ISO 228
Actuator	Pneumatic rotating 90° - DOUBLE EFFECTCT - anodized alloy aluminium
Supply	min 6 / max 10 bar
Temperature	-25 to +120 °C

#### Description

Ball valves made for intercepting water, colors and chemical products.

Designed to be mounted on the manifold, are used mainly in textile dyeing and finishing plants.

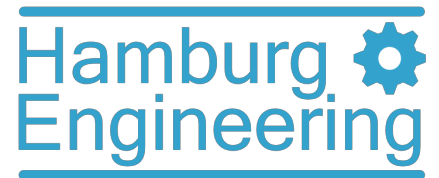
#### Options

- ⇒ Mechanical limit switch / proximity microswitches box
- ⇒ Solenoid

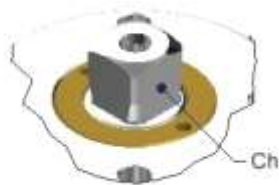
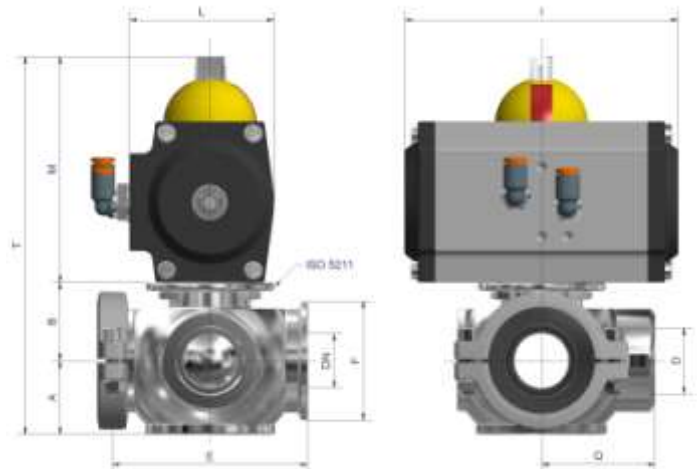


Pneumatic ball valves ON-OFF  
Series VSP/3V - CS+FF

MANIFOLD



Materials	
Valve body	AISI 316/316L
Seats	PTFE
O-rings	FPM
Ball	AISI 316/316L - drilling "T"
Stem	AISI 316/316L
Connections	AISI 316/316L



Dimensions (mm)													
DN - actuator	A	B	D	E	F	L	M	I	Q	T	ISO 5211	Ch	weight (Kg)*
25 - 52/90	34	35	1"	94	55	69	111	133	52	180	F05	14	2,9

\* Actuator without accessories.