

Pneumatic ball valves ON-OFF Series VSP/3V - CS HYPOCHLORITE MANIFOLD

Technical data

Size (DN)	DN 25
Rating	PN 40
Connections	Clamp for manifold + 3° way male threaded 2" GAS - ISO 228
Actuator	Pneumatic rotating 90° - DOUBLE EFFECT - anodized alloy aluminium
Supply	min 6 / max 10 bar
Temperature	-25 to +120 °C

Description

Ball valves made specifically to intercept SODIUM HYPOCHLORITE (NaClO).

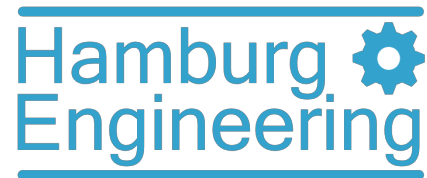
Designed to be mounted on the manifold, are used mainly in textile dyeing and finishing plants.

Options

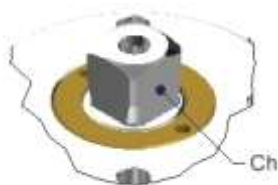
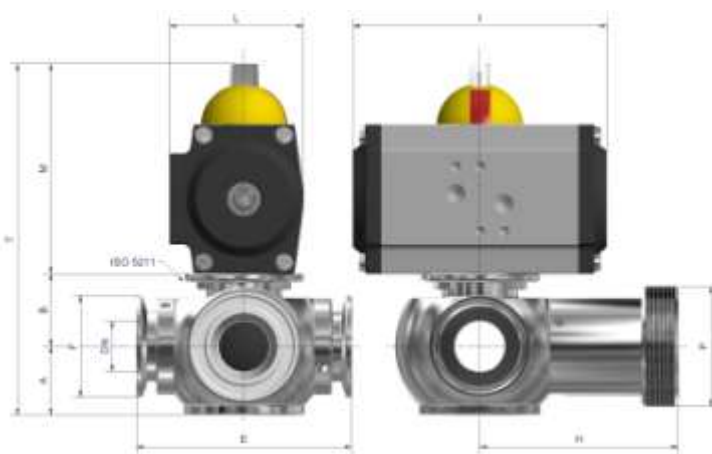
- ⇒ Mechanical limit switch / proximity microswitches box
- ⇒ Solenoid



Pneumatic ball valves ON-OFF
 Series VSP/3V - CS HYPOCHLORITE
 MANIFOLD



Materials	
Valve body	AISI 316/316L
Seats	PTFE
O-rings	FPM
Ball	PVC - drilling "T"
Stem	AISI 316/316L
Connections	AISI 316/316L - internal PTFE



Dimensions (mm)													
DN - actuator	A	B	E	F	H	I	L	M	P	T	ISO 5211	Ch	weight (Kg)*
25 - 52/90	34	35	94	55	98	133	69	111	2"	180	F05	14	3,2

* Actuator without accessories.