

ON-OFF Angle Valves

Serie SBS/S - FL UNI PN 10/16

Technical data

Size (DN)	DN 15 - 150
Rating	PN 16 (15-100) - PN 10 (125-150)
Connections	FLANGES DRILLING PN 16 (15-32) FLANGES UNI PN 10/16 (40-150)
Plug characteristic	Disc
Actuator	Pneumatic with piston AISI 304
Supply	min 4 / max 8 bar
Temperature	-30 to +150 °C

Description

Pneumatic valve angle seat with high coefficient of flow, solid construction and compact. Versatility due to the construction of stainless steel for use in harsh environments.

They can be employed in several sector as: textile dyeing and finishing plants, chemical plants, water-treating, alimentary, general industrial plants.

Options

- ⇒ Normally open (NO)
- ⇒ Double effect (DE)
- ⇒ Seals actuator FPM (for steam max 180 °C)
- ⇒ Manual handwheel
- ⇒ Mechanical limit switch / proximity / microswitches box
- ⇒ Solenoid
- ⇒ Electropneumatic converter signal 4-20 mA
- ⇒ 0-10 VDC (control plug)
- ⇒ Special flanges on request (face to face UNI)
- ⇒ Special executions on request

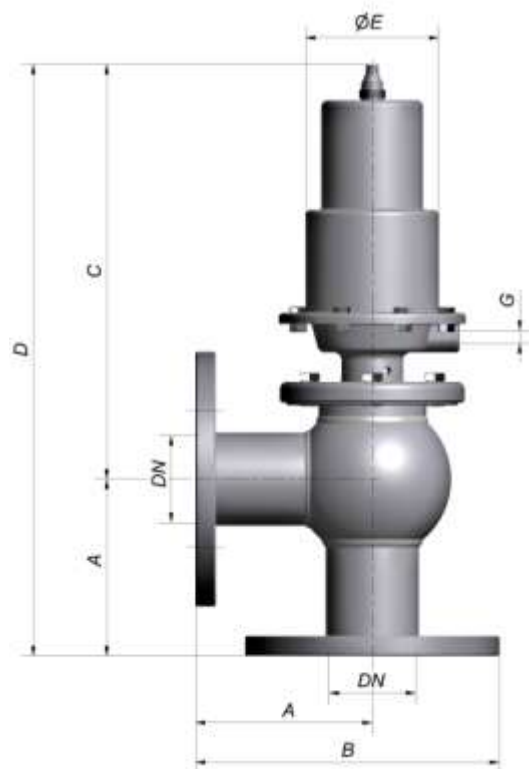


DN	15	20	25	32	40	50	65	80	100	125	150
C _v	5	8	13	20	32	50	85	129	203	318	459
K _{vs}	4,3	6,9	11,1	17,1	27,4	42,8	72,7	110,3	173,5	271,8	392,3

ON-OFF Angle Valves

Serie SBS/S - FL UNI PN 10/16

Materials	
Valve body	AISI 316/316L
Flanges	AISI 304/304L (STD) AISI 316/316L
Insert plug	PTFE (STD) - PTFE/CG - SILICONE
Stem / Plug	AISI 316/316L
Packing	Anello in PTFE energizzato con O-ring in FPM
Body gasket	PTFE (STD) - CARBOFIBER
Seal actuator	NBR



Standard Dimensions (mm)							
DN	A	B	C	D	ØE	G	weight (Kg) *
15	70	117.5	217	287	63	1/8" G	3.6
20	70	122.5	217	287			4.1
25	80	137.5	217	297			4.7
32	90	160	222	312			6.1
40	100	175	262	362	82	1/4" G	8.1
50	115	197.5	267	382	9.8		
65	130	222.5	290	420	118		14.6
80	135	235	317	452	136		21.7
100	150	260	325	475		24.6	
125	165	290	394	559	153	33.5	
150	220	362.5	405	595		37.9	

* Servocomando senza accessori.