

ON-OFF Angle Valves

Serie SBS/S - BW

Dati tecnici

Size (DN)	DN 15 - 150
Rating	PN 16 (15-100) - PN 10 (125-150)
Connections	Butt weld (BW)
Plug characteristic	Disc
Actuator	Pneumatic with piston AISI 304
Supply	min 4 / max 8 bar
Temperature	-30 to +150 °C

Description

Pneumatic valve angle seat with high coefficient of flow, solid construction and compact. Versatility due to the construction of stainless steel for use in harsh environments.

They can be employed in several sector as: textile dyeing and finishing plants, chemical plants, water-treating, alimentary, general industrial plants.

Options

- ⇒ Normally open (NO)
- ⇒ Double effect (DE)
- ⇒ Seals actuator FPM (for steam max 180 °C)
- ⇒ Manual handwheel
- ⇒ Mechanical limit switch / proximity / microswitches box
- ⇒ Solenoid
- ⇒ Electropneumatic converter signal 4-20 mA
- ⇒ 0-10 VDC (control plug)
- ⇒ Special executions on request

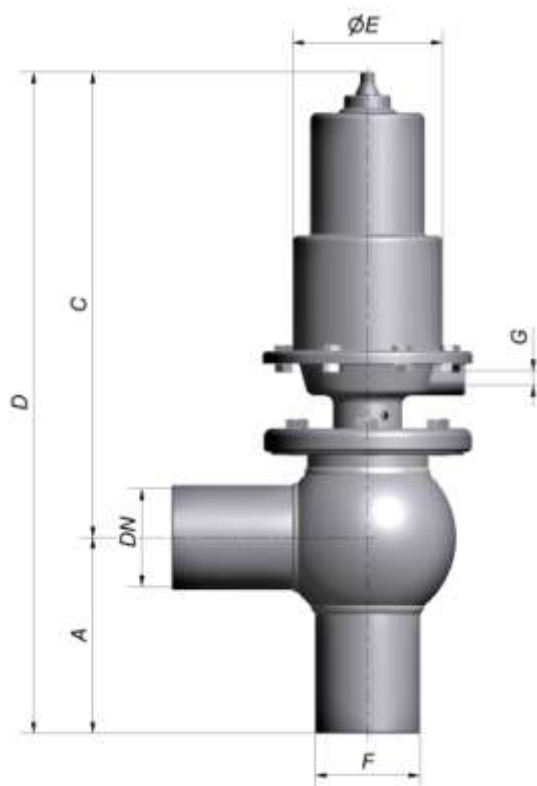


DN	15	20	25	32	40	50	65	80	100	125	150
C _v	5	8	13	20	32	50	85	129	203	318	459
K _{vs}	4,3	6,9	11,1	17,1	27,4	42,8	72,7	110,3	173,5	271,8	392,3

ON-OFF Angle Valves

Serie SBS/S - BW

Materials	
Valve body	AISI 316/316L
Flanges	PTFE (STD) - PTFE/CG - SILICONE
Stem / Plug	AISI 316/316L
Packing	Anello in PTFE energizzato con O-ring in FPM
Body gasket	PTFE (STD) - CARBOFIBER
Seal actuator	NBR



Standard Dimensions (mm)							
DN	A	C	D	ØE	ØF	G	weght (Kg) *
15	70	217	287	63	21.3	1/8" G	2.6
20	70	217	287		26.9		2.6
25	80	217	297		33.7		2.9
32	90	222	312		42.4		3.1
40	100	262	362	82	48.3	1/8" G	4.6
50	115	267	382		60.3		5.1
65	130	290	420	118	76.1	1/4" G	8.9
80	135	317	452	136	88.9		15
100	150	325	475		114.3		16
125	165	394	559	153	139.7		21.1
150	220	405	595		168.3		22.7

* Servocomando senza accessori.