

ON-OFF free flow valves

Series NPFL/BW

Technical data

Size (DN)	DN 15 - 100
Rating	PN 16
Connections	Butt Weld (BW)
Plug characteristic	Disc
Actuator	Pneumatic with piston AISI 304
Supply	min 4 / max 8 bar
Temperature	-30 to +200 °C

Description

Pneumatic valve angle seat with high coefficient of flow, solid construction and compact. Versatility due to the construction of stainless steel for use in harsh environments.

They can be employed in several sector as: textile dyeing and finishing plants, chemical plants, water-treating, alimentary, general industrial plants.

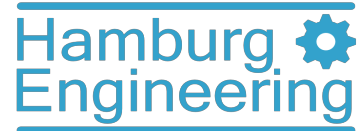
Options

- ⇒ Normally open (NO)
- ⇒ Double effect (DE)
- ⇒ Mechanical limit switch / proximity / microswitches box
- ⇒ Solenoid
- ⇒ Electropneumatic converter signal 4-20 mA
o 0-10 VDC (control plug)

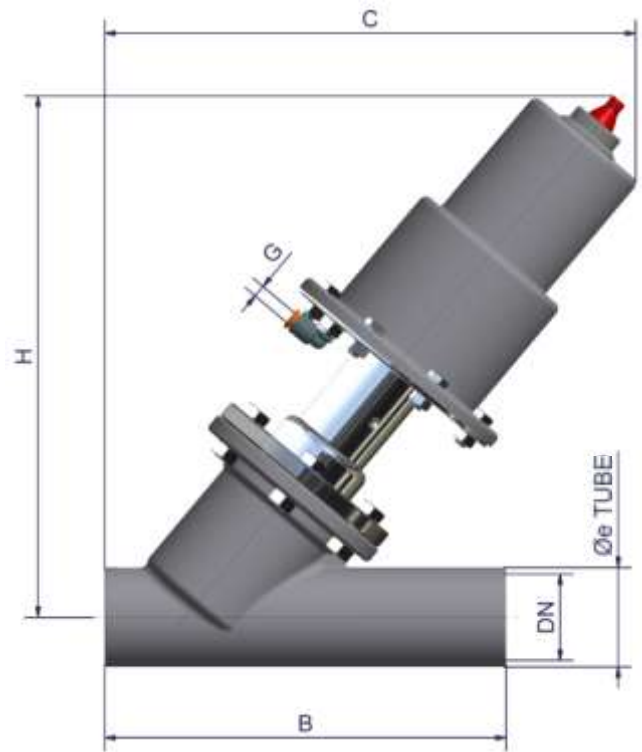


DN	C _v	K _{vs}
15	5	4,3
20	9	7,7
25	14	12
32	22	18,8
40	34	29
50	53	45,3
65	91	77,8
80	138	118
100	217	185,5

ON-OFF free flow valves Series NPFL/BW



Materials	
Valve body	AISI 316/316L
Insert plug	PTFE/CG
Stem / Plug	AISI 316/316L
Packing	Packing box PTFE + graphite ring
Body gasket	ARMED GRAPHITE
Seal actuator	FPM



Dimensions (mm)						
DN - servoc.	B	C	H	Øe TUBE	G	weight (Kg) *
15 - S.63	126	207	215	21,3	1/8" G	2,7
20 - S.63	146	212	215	26,9	1/8" G	2,8
20 - S.82	146	237	240	26,9	1/8" G	3,9
25 - S.63	156	212	215	33,7	1/8" G	3,2
25 - S.82	156	237	240	33,7	1/8" G	4,3
32 - S.63	176	on request	on request	42,4	1/8" G	on request
32 - S.82	176	on request	on request	42,4	1/8" G	on request
40 - S.82	196	262	260	48,3	1/8" G	5,5
40 - S.118	196	292	290	48,3	1/8" G	8,1
50 - S.82	226	272	270	60,3	1/8" G	6,6
50 - S.118	226	302	300	60,3	1/8" G	9,2
65 - S.118	286	342	310	76,1	1/8" G	11,3
65 - S.136	286	on request	on request	76,1	1/4" G	on request
80 - S.136	306	on request	on request	88,9	1/4" G	on request
80 - S.153	306	on request	on request	88,9	1/4" G	on request
100 - S.136	345	on request	on request	114,3	1/4" G	on request
100 - S.153	345	on request	on request	114,3	1/4" G	on request

* Actuator without accessories.