

ON-OFF free flow valves

Series NPFL/FF - SW

Technical data

Size (DN)	DN 15 - 50
Rating	PN 25
Connections	Female threaded GAS (FF) - ISO 228 Socket weld (SW)
Plug characteristic	Disc
Actuator	Pneumatic with piston AISI 304
Supply	min 4 / max 8 bar
Temperature	-30 to +200 °C

Description

Pneumatic valve angle seat with high coefficient of flow, solid construction and compact. Versatility due to the construction of stainless steel for use in harsh environments.

They can be employed in several sector as: textile dyeing and finishing plants, chemical plants, water-treating, alimentary, general industrial plants.

Options

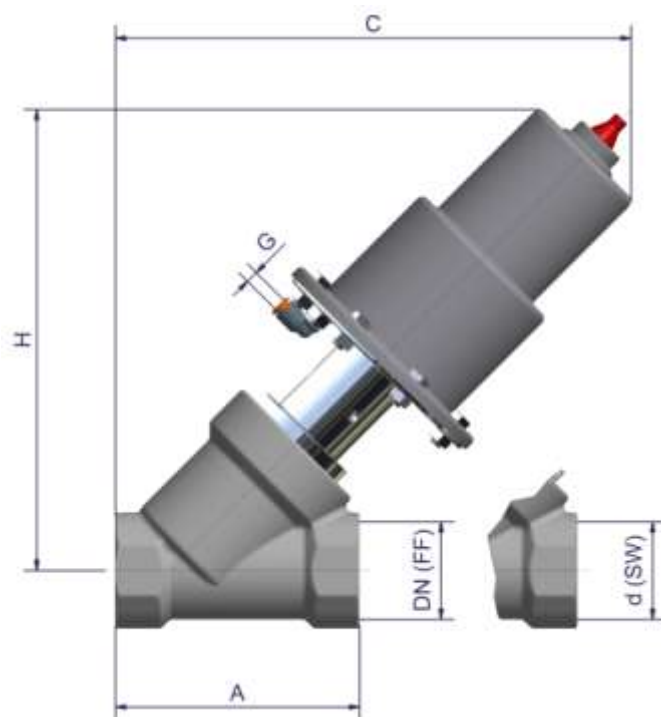
- ⇒ Normally open (NO)
- ⇒ Double effect (DE)
- ⇒ Mechanical limit switch / proximity / microswitches box
- ⇒ Solenoid
- ⇒ Electropneumatic converter signal 4-20 mA o 0-10 VDC (control plug)



DN	C _v	K _{vs}
15 - 1/2"	5	4,3
20 - 3/4"	9	7,7
25 - 1"	14	12
32 - 1"1/4	22	18,8
40 - 1"1/2	34	29
50 - 2"	53	45,3

ON-OFF free flow valves Series NPFL/FF - SW

Materials	
Valve body	AISI 316/316L
Insert plug	PTFE/CG
Stem / Plug	AISI 316/316L
Packing	Packing box PTFE + graphite ring
Body gasket	KLINGER SIL C 4500
Seal actuator	FPM



Dimensions (mm)						
DN - servoc.	A	C	H	d (SW)	G	weight (Kg) *
15 - S.63	65	215	195	21,5	1/8" G	2,2
20 - S.63	75	220	195	27,0	1/8" G	2,3
20 - S.82	75	245	225	27,0	1/8" G	3,4
25 - S.63	90	215	210	33,8	1/8" G	2,8
25 - S.82	90	240	245	33,8	1/8" G	3,9
32 - S.63	110	210	180	42,7	1/8" G	on request
32 - S.82	110	235	210	42,7	1/8" G	on request
40 - S.82	120	250	220	48,8	1/8" G	4,9
40 - S.118	120	280	255	48,8	1/8" G	7,5
50 - S.82	150	260	230	60,8	1/8" G	5,6
50 - S.118	150	290	265	60,8	1/8" G	8,2

* Actuator without accessories.