

# ON-OFF free flow valves Series MVPFL/FF—SW

## Technical data

Size (DN)	DN 8 - 25
Rating	PN 25
Connections	Female threaded GAS (FF) - ISO 228 Socket weld (SW)
Plug characteristic	Disc
Actuator	Pneumatic with piston AISI 304
Supply	min 4 / max 8 bar
Temperature	-30 to +150 °C - ( tip max 180 °C )

## Description

Pneumatic micro-valve angle seat with high coefficient of flow, solid construction and compact. Versatility due to the construction of stainless steel for use in harsh environments.

They can be employed in several sector as: textile dyeing and finishing plants, chemical plants, water-treating, alimentary, general industrial plants.

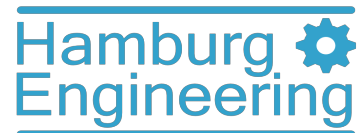
## Options

- ⇒ Normally open ( NO )
- ⇒ Double effect ( DE )
- ⇒ Metallic visual device
- ⇒ Mechanical limit switch / proximity
- ⇒ Solenoid
- ⇒ Electropneumatic converter signal 4-20 mA  
o 0-10 VDC ( control plug )
- ⇒ Special executions on request

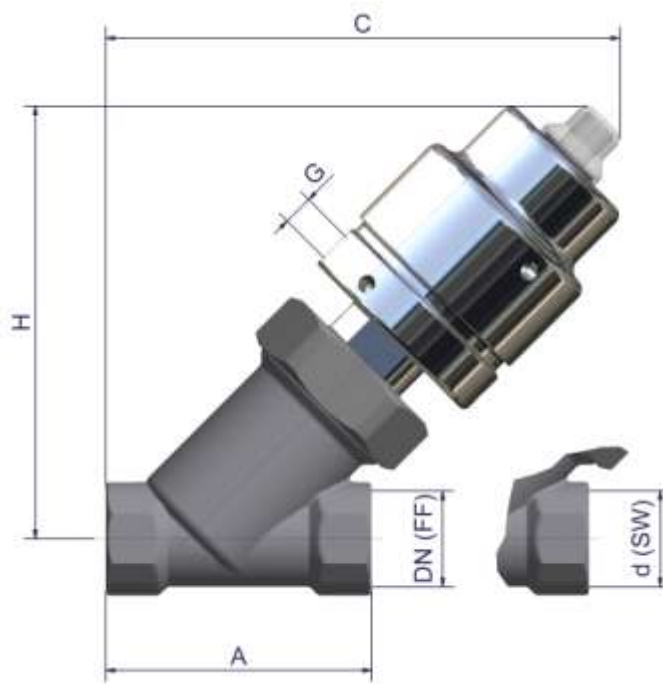


DN	C <sub>v</sub>	K <sub>vs</sub>
8 - <b>1/4"</b>	2	1,7
10 - <b>3/8"</b>	3	2,5
15 - <b>1/2"</b>	5	4,3
20 - <b>3/4"</b>	9	7,7
25 - <b>1"</b>	14	12

# ON-OFF free flow valves Series MVPFL/FF—SW



Materials	
Valve body	AISI 316/316L
Insert plug	PTFE (STD) - PTFE/CG
Stem / Plug	AISI 316/316L
Packing	Standard PTFE ring energized with O-ring FPM
Body gasket	PTFE (STD) - PTFE/CG
Seal actuator	FPM



Dimension (mm)						
DN - servoc.	A	C	H	d (SW)	G	weight (Kg) *
8 - S.32	60	125	105	14,0	1/8" G	0,9
10 - S.32	60	125	105	17,4	1/8" G	0,9
15 - S.40	65	140	120	21,5	1/8" G	1,5
15 - S.50	65	145	125	21,5	1/8" G	1,5
20 - S.40	75	145	120	27,0	1/8" G	1,6
20 - S.50	75	150	125	27,0	1/8" G	1,6
25 - S.40	90	140	130	33,8	1/8" G	1,7
25 - S.50	90	145	135	33,8	1/8" G	1,7

\* Actuator without accessories.