

ON-OFF free flow valves Series MVMFL/FF - MVM/SW

Technical data

Size (DN)	DN 8 - 25
Rating	PN 25
Connections	Female threaded GAS (FF) - ISO 228 Socket weld (SW)
Plug characteristic	Parabolic linear
Action	Manual handwheel
Temperature	-30 to +150 °C

Description

Manual micro-valve angle seat with high coefficient of flow, solid construction and compact. Versatility due to the construction of stainless steel for use in harsh environments.

They can be employed in several sector as: textile dyeing and finishing plants, chemical plants, water-treating, alimentary, general industrial plants.

Options

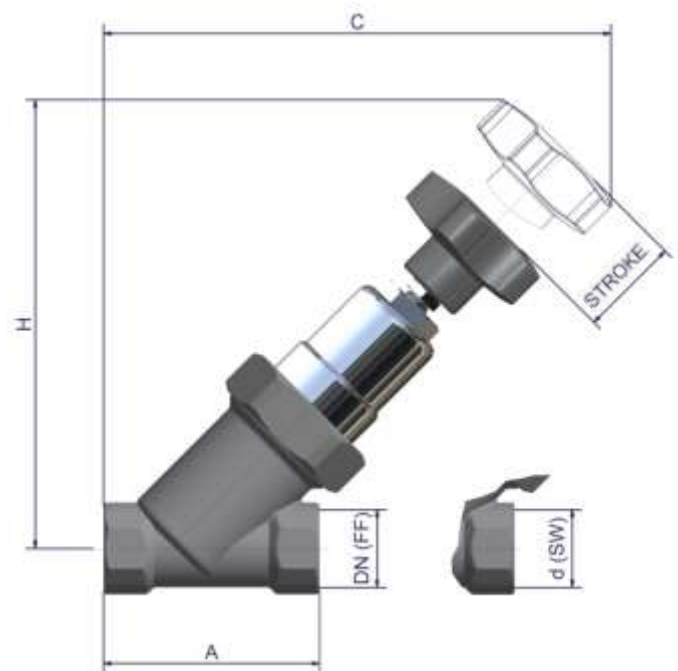
- ⇒ Packing box + extension bonnet (for steam max 180 °C)

DN	C _v	K _{vs}
8 - 1/4"	2	1,7
10 - 3/8"	3	2,5
15 - 1/2"	5	4,3
20 - 3/4"	9	7,7
25 - 1"	14	12



ON-OFF free flow valves
Series MVMFL/FF - MVM/SW

Materials	
Valve body	AISI 316/316L
Insert plug	PTFE (STD) - PTFE/CG
Stem / Plug	AISI 316/316L
Packing	Standard PTFE ring energized with O-ring FPM
Body gasket	PTFE (STD) - PTFE/CG
O-ring	FPM



Dimensions (mm)					
DN	A	C	H	d (SW)	weight (Kg)
8	60	146	135	14,0	0,9
10	60	146	135	17,4	0,9
15	65	165	150	21,5	1,1
20	75	170	150	27,0	1,2
25	90	170	155	33,8	1,3