

Proportional Relief Valves

RV4 Series



- ❖ Set pressure from 5 to 550 psig (0.34 to 37.9 bar)
- ❖ Liquid or gas service
- ❖ Zero friction poppets
- ❖ Spring adjusts to provide desired set pressure
- ❖ Variety of end connections
- ❖ Variety of body and seal materials

Features

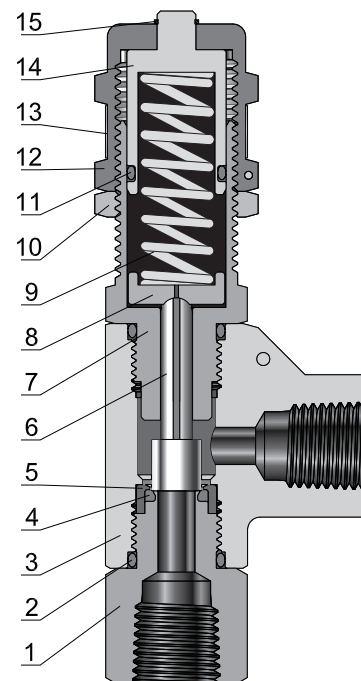
- ❖ Liquid or gas service
- ❖ Set pressure from 5 to 550 psig (0.34 to 37.9 bar)
- ❖ Maximum outlet pressure up to 2800 psig (193 bar)
- ❖ Spring adjusts to provide desired set pressure
- ❖ Zero friction poppets increases accuracy of cracking pressure and reseal pressure

Seal Materials

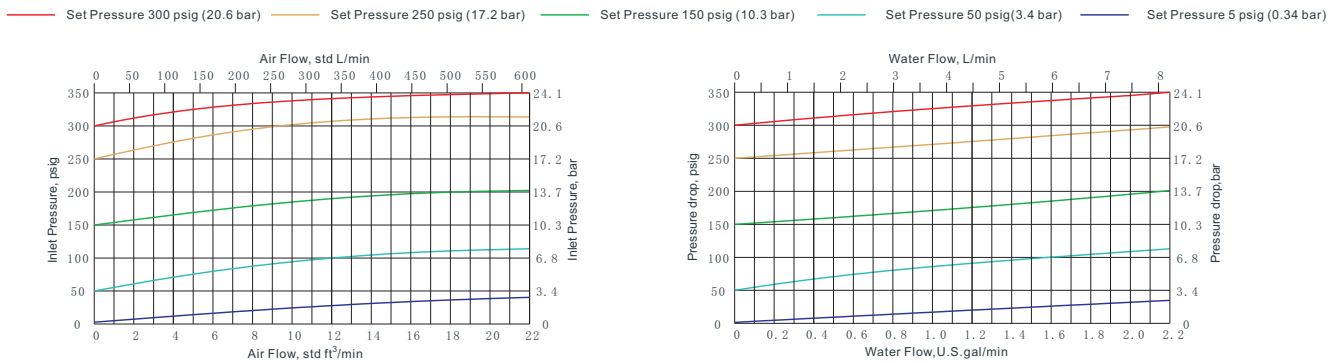
Seal Material	Temperature Range °F (°C)
Fluorocarbon FKM	-20 to 400 (-29 to 204)
Buna N	-65 to 275 (-54 to 135)
Neoprene	-40 to 300 (-40 to 148)
Ethylene propylene	-65 to 300 (-54 to 148)

Standard Materials of Construction

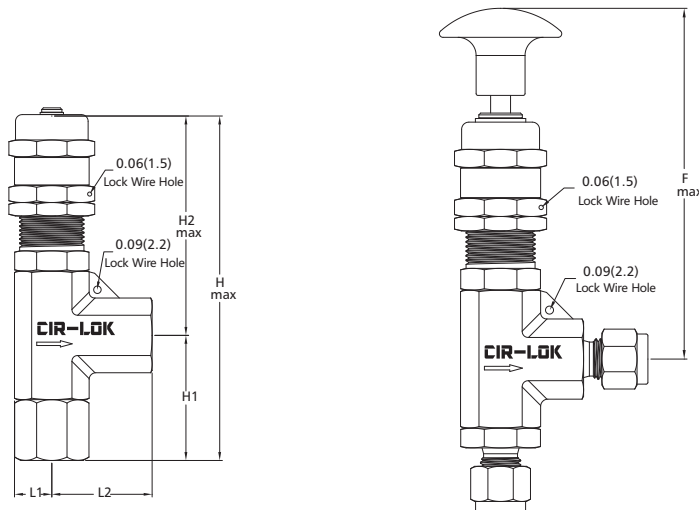
Component	Material Grade/ASTM Specification	
1	Connector	316 S.S./A479
2	O-ring	Fluorocarbon FKM
3	Body	316 S.S./A182
4	O-ring	Fluorocarbon FKM
5	Shroud Ring	316 S.S./A479
6	Stem	316 S.S./A479
7	Bonnet	316 S.S./A479
8	Spring support	316 S.S./A276
9	Spring	S17700 S.S./AMS 5678
10	Lock nut	316 S.S./A276
11	O-ring	Fluorocarbon FKM
12	Cap	316 S.S./A479
13	Label	Polyester
14	Spring Holder	316 S.S./A276
15	Retaining Ring	304 S.S.



Flow Data at 70°F (20°C)



Dimensions



Basic Ordering Number	Connection Type and Size	Orifice in. (mm)	Dimension, in. (mm)					
			L1	L2	H1	H2	H	F
RV4-F4-05-	1/4" CIR-LOK	0.23 (5.8)	0.43 (10.9)	1.60 (40.6)	1.60 (40.6)	2.70 (68.6)	4.30 (109.2)	4.09 (104)
RV4-F6-05-	3/8" CIR-LOK		0.50 (12.7)	1.72 (43.7)	1.87 (47.7)	4.09 (103.9)	5.96 (151.6)	5.37 (136)
RV4-F8-05-	1/2" CIR-LOK		0.43 (10.9)	1.60 (40.6)	1.60 (40.6)	2.70 (68.6)	4.30 (109.2)	4.09 (104)
RV4-M6-05-	6 mm CIR-LOK		0.50 (12.7)	1.83 (46.5)	2.00 (50.5)	4.09 (103.9)	6.07 (154.4)	5.37 (136)
RV4-M8-05-	8 mm CIR-LOK		0.43 (10.9)	1.38 (34.9)	1.53 (38.9)	2.70 (68.6)	4.23 (107.5)	4.09 (104)
RV4-M12-05-	12 mm CIR-LOK		0.50 (12.7)	1.43 (36.3)	1.58 (40.3)	4.09 (103.9)	5.67 (144.2)	5.37 (136)
RV4-FNPT4-05-	1/4 Female NPT		0.43 (10.9)	1.17 (29.7)	1.34 (34.2)	2.70 (68.6)	4.04 (102.8)	4.09 (104)
RV4-FNPT8-05-	1/2 Female NPT		0.50 (12.7)	1.43 (36.3)	1.58 (40.3)	4.09 (103.9)	5.67 (144.2)	5.37 (136)
RV4-NPT4-05-	1/4 Male NPT		0.50 (12.7)	1.43 (36.3)	1.58 (40.3)	4.09 (103.9)	5.67 (144.2)	5.37 (136)
RV4-NPT8-05-	1/2 Male NPT		0.50 (12.7)	1.43 (36.3)	1.58 (40.3)	4.09 (103.9)	5.67 (144.2)	5.37 (136)

How to Order

Series	Inlet Type	Inlet Size	Outlet Type	Outlet Size	Orifice	Seal Material	Spring KitColor	Manual Override Handle	Body Material
RV4	FNPT Female NPT	2 1/8 in.	Same as inlet type and inlet size		05 0.23 in. (5.8 mm)	V Fluorocarbon FKM	G Green 5~300 psig	None	316 316 S.S.
	NPT Male NPT	4 1/4 in.				B Buna N	O Orange 300~550 psig	M Manual Override Handle	316L 316L S.S.
	FBT Female BSPT	6 3/8 in. or 6mm	If outlet and inlet are the same, eliminate the outlet designator	E Ethylene propylene		304 304 S.S.			
	MBT Male BSPT	8 1/2 in. or 8mm		N Neoprene		304L 304L S.S.			
	FMS Female ISO 261	10 10 mm		Z Kalrez					
	MS Male ISO 261	12 3/4 in. or 12mm							
	FBP Female BSPP								
	MBP Male BSPP								
	F Fractional Tube Fitting								
	M Metric Tube Fitting								