

Proportional Relief Valves

RV3 Series



- ❖ Set pressure from 50 to 1500 psig (3.4 to 103 bar)
- ❖ Liquid or gas service
- ❖ Spring adjusts to provide desired set pressure
- ❖ Variety of end connections
- ❖ Variety of body and seal materials

Features

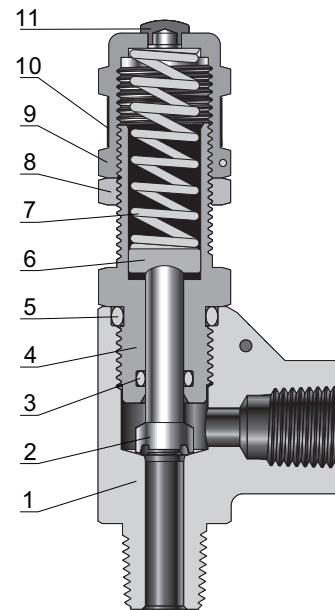
- ❖ Liquid or gas service
- ❖ Set pressure from 50 to 1500 psig (3.4 to 103 bar)
- ❖ Maximum outlet pressure up to 2500 psig (172 bar)
- ❖ Spring adjusts to provide desired set pressure

Seal Materials

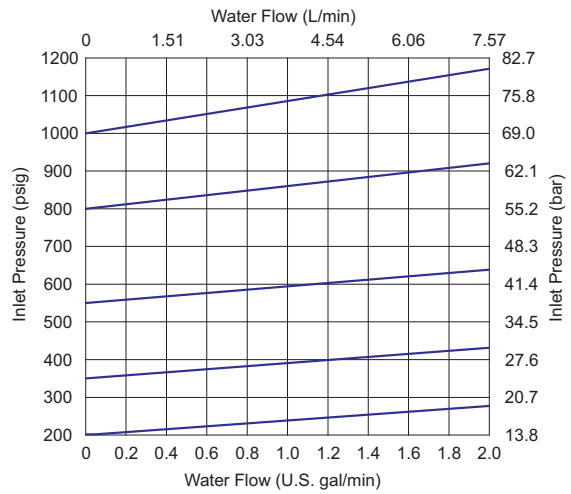
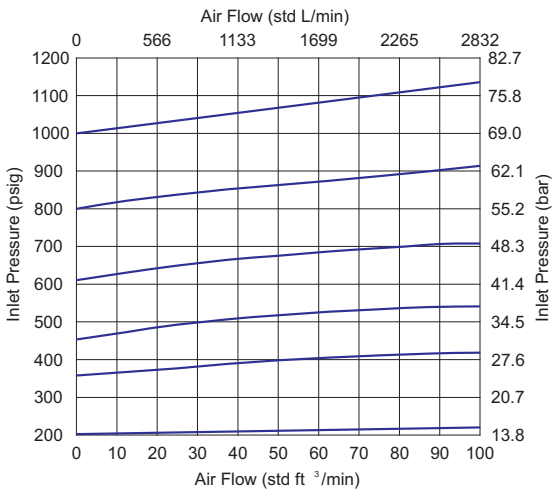
Seal Material	Temperature Range °F (°C)
Fluorocarbon FKM	-25 to 250 (-4 to 121)
Buna N	0 to 250 (-17 to 121)
Neoprene	-10 to 300 (-23 to 148)
Ethylene Propylene	30 to 250 (-1 to 121)

Standard Materials of Construction

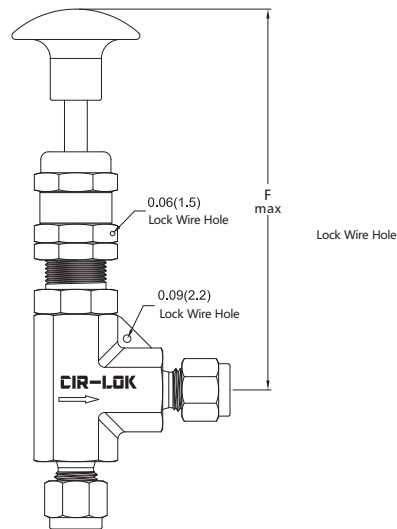
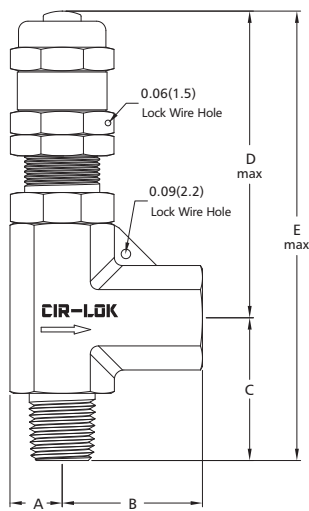
Component	Material Grade/ASTM Specification
1 Body	316 S.S./A182
2 Stem	Fluorocarbon FKM-bonded 316 S.S./A479
3 O-ring	Fluorocarbon FKM
4 Bonnet	316 S.S./A479
5 O-ring	Fluorocarbon FKM
6 Spring Support	316 S.S./A276
7 Spring	S17700 S.S./AMS 5678
8 Lock Nut	316 S.S./A276
9 Cap	316 S.S./A479
10 Label	Polyester
11 Plug	316 S.S./A276



Flow Data at 70°F (20°C)



Dimensions



Basic Ordering Number	Connection Type and Size	Orifice in. (mm)	Dimension, in. (mm)					
			A	B	C	D	E	F
RV3-F8-06-	1/2" CIR-LOK	0.25 (6.4)	0.5 (12.7)	1.43 (36.3)	1.83 (46.5)	4.09 (104)	5.92 (150)	5.37 (136)
RV3-M12-06-	12 mm CIR-LOK							
RV3-NPT8-06-	1/2 Male NPT			1.43 (36.3)	1.44 (36.6)		5.52 (140)	
RV3-MBT8-06-	1/2 Male BSPT							
RV3-FNPT8-06-	1/2 Female NPT							
RV3-FBT8-06-	1/2 Female BSPT							

How to Order

RV3 — **FNPT8** — **M8** — **06V** — **GM** — **316**

Series	Inlet Type	Inlet Size	Outlet Type	Outlet Size	Orifice	Seal Material	Spring KitColor	Manual Override Handle	Body Material			
RV3	FNPT Female NPT	8 1/2in. or 8mm	Same as inlet type and inlet size		06 0.25 in. (6.4 mm)	V Fluorocarbon FKM	G Green 50~350 psig	None	316 316 S.S.			
	NPT Male NPT	10 10 mm										
	FBT Female BSPT	12 3/4 in. or 12mm	If outlet and inlet are the same, eliminate the outlet designator	B Buna N						O Orange 350~750 psig	M Manual Override Handle	316L 316L S.S.
	MBT Male BSPT											
	FMS Female ISO 261											
	MS Male ISO 261	304 304 S.S.										
	FBP Female BSPP											
	MBP Male BSPP											
	F Fractional Tube Fitting	304L 304L S.S.										
	M Metric Tube Fitting											