

Ball Valves

BV3 Series Hex Bar Stock

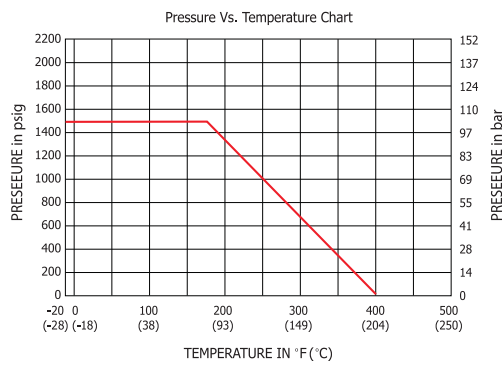


- ❖ Maximum working pressure: 1500 psig (103.4 bar)
- ❖ Working temperature: -20°F to 450°F (-28°C to 232°C)
- ❖ 316 stainless steel and steel body material
- ❖ Variety of end connections

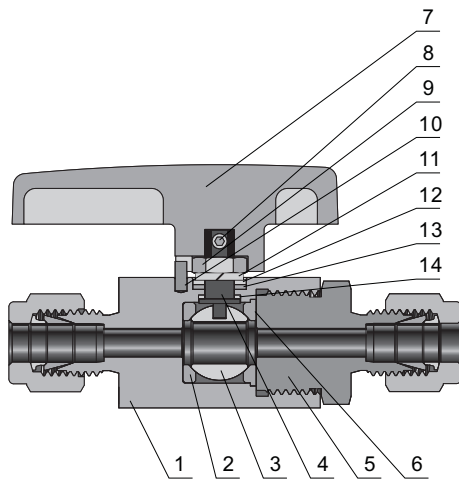
Features

- ❖ Maximum working pressure: 1500 psig (103.4 bar)
- ❖ Working temperature: -20°F to 450°F (-28°C to 232°C)
- ❖ Compact and economical design
- ❖ Free floating ball design for seat wear compensation
- ❖ Bi-directional flow
- ❖ Blowout proof stem
- ❖ Options for handle color

Pressure vs. Temperature

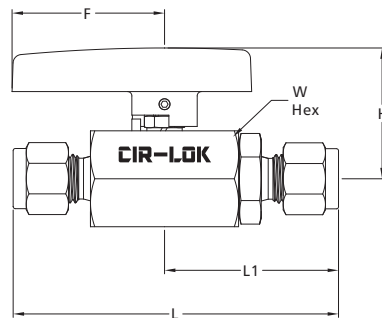


Standard Materials of Construction



Item	Component	Material Grade/ASTM Specification		
		316 S.S.	304 S.S.	Brass
1	Body	316 S.S./A276	304 S.S./A276	Brass/B16
2	Seat	PTFE/D1710		
3	Ball	316 S.S./A276		
4	Stem	316 S.S./A276		
5	Connector	316 S.S./A276	304 S.S./A276	Brass/B16
6	Seat	PTFE/D1710		
7	Handle	Aluminum		
8	Screw	S17400/A564		
9	Nut	316 S.S./A194		
10	Pin	304 S.S./A276		
11	Washer	304 S.S.		
12	Gland	316 S.S./A276		
13	Packing	PTFE/D1710		
14	Stem Washer	PTFE/D1710		

Dimensions



Basic Ordering Number	Connection Type and Size	Orifice in. (mm)	Cv	Dimension, in. (mm)			
				L	L1	W	H
BV3-M6-05-	6 mm CIR-LOK	0.187 (4.7)	1.0	2.63 (66.8)	1.50 (38.1)	3/4 (19.05)	1.18 (30)
BV3-M8-05-	8 mm CIR-LOK						
BV3-F4-05-	1/4" CIR-LOK						
BV3-F5-05-	5/16" CIR-LOK						
BV3-FNPT2-05-	1/8 Female NPT			1.85 (47.0)	1.08 (27.4)		
BV3-FBP2-05-	1/8 Female BSPP						
BV3-FBP4-05-	1/4 Female BSPP						
BV3-FNPT4-05-	1/4 Female NPT						
BV3-M10-06-	10 mm CIR-LOK	0.25 (6.4)	2.3	2.87 (72.9)	1.68 (42.7)	7/8 (22.23)	
BV3-F6-06-	3/8" CIR-LOK						
BV3-FBP6-06-	3/8 Female BSPP			2.03 (51.6)	1.18 (30.0)		
BV3-FNPT6-06-	3/8 Female NPT						
BV3-M12-10-	12 mm CIR-LOK	0.406 (10.3)	6.4	3.15 (80.0)	1.83 (46.5)	15/16 (24.0)	1.54 (39)
BV3-F8-10-	5/8" CIR-LOK						
BV3-F10-10-	5/8" CIR-LOK						
BV3-FBP8-10-	1/2 Female BSPP			2.05 (52.1)	1.12 (28.5)		
BV3-FNPT8-10-	1/2 Female NPT						

❖ If working pressure up to 6,000 psi, please refer to BV36 series.
 If working pressure up to 10,000 psi, please refer to BV31 series.

How to Order

BV3 — M12 — FNPT8 — T10 — Y — 316

Series	Inlet Type	Inlet Size	Outlet Type	Outlet Size	Seat Material	Orifice Size	Handle	Body Material	
BV3	FNPT Female NPT	2 1/8 in.	Same as inlet type and inlet size		T PTFE	05 0.187 in. (4.7 mm)	Black	316 316 S.S.	
	NPT Male NPT	3 3 mm					Aluminium		316L316L S.S.
	FBT Female BSPT	4 1/4 in.					Directional Handle (ADH)		
	MBT Male BSPT	5 5/16 in.	If outlet and inlet are the same, eliminate the outlet designator			06 0.250 in. (6.4 mm)	R Red ADH	304 304 S.S.	
	FMS Female ISO 261	6 3/8 in. or 6 mm					G Green ADH		
	MS Male ISO 261	8 1/2 in. or 8 mm					L Blue ADH		
	FBP Female BSPP	10 10 mm				Y Yellow ADH	304L 304L S.S.		
	MBP Male BSPP	12 3/4 in. or 12 mm				BL Black Lever Handle			
	F Fractional Tube Fitting	14 14 mm				RL Red Lever Handle			
	M Metric Tube Fitting	16 1 in. or 16 mm				GL Green Lever Handle			
	UGF Nut + Gasket + Bulge Fractional Tube Nipple	18 18 mm				LL Blue Lever Handle			
	UGM Nut + Gasket + Metric Tube Bulge Nipple	20 1 1/4 in. or 20 mm				YL Yellow Lever Handle			
		22 22 mm							
		25 1 in. or 25 mm							